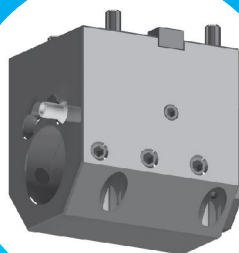
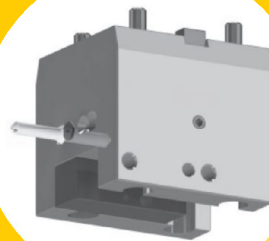
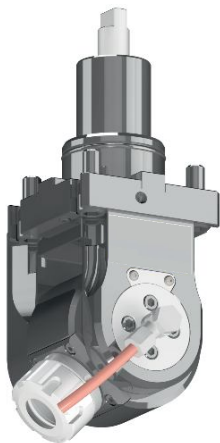
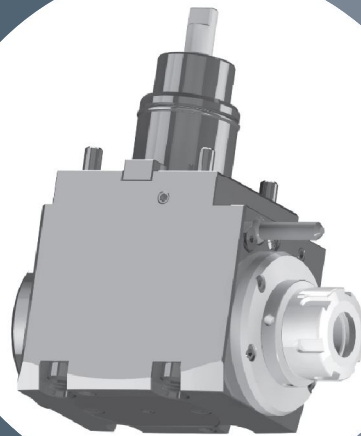


EuroDrive

Made In Europe

Live Tools Product Catalogue





EuroDrive provides its customers high quality Driven Tools and Static Tools for CNC lathes and Machining Centres. We offer a complete range of Driven Tool Holders for all major machines including Haas, Doosan, Okuma, Mazak, Mori Seiki, Jyoti, BFW and LMW.

EuroDrive delivers products that meet the highest standards of Performance, Quality and Service. All our products are manufactured in Europe in a modern and state of the art production facility to the highest quality standards of ISO 9001.

EuroDrive develops and produces products to meet our customers high technical requirements and specifications. Our team of highly trained & skilled technicians and application engineers collaborate with our customers to develop unique solutions.

EuroDrive produces Tool Holders for CNC lathes with axial, radial and adjustable style for BMT, VDI and BOT Turrets. Static Tools are offered for Turning, Boring, Face Grooving, Cut Off and Bar Pulling operations.

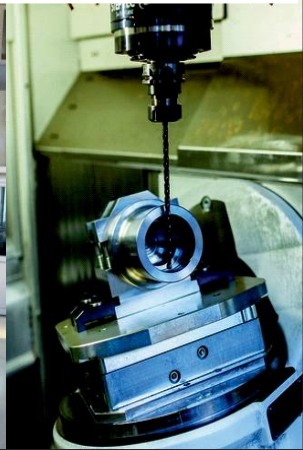
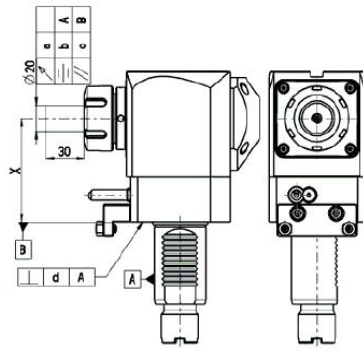
EuroDrive heads can be serviced or sent in for periodic maintenance to any one of our Authorized Service Centres located in the markets we serve.



Management System
ISO 9001:2015



	PART NAME :	RGT140251321180UD	April 17, 2019	12:13
	REV NUMBER :	SER NUMBER :	9002	STATS COUNT : 1



CONTENTS

Specifications

Ordering System	2
Tool Orientation	8

BMT Turret Tools

BMT 45 Live	12
BMT 45 Static	14
BMT 55 Live	16
BMT Static	19
BMT 65 Live	21
BMT 65 Static	24
HASS BOT Static	26
BMT 44 Nakamura	31
BMT 55 Nakamura	36
BMT 65 Nakamura	41
BMT 60 OKUMA	45
BMT 60 Mori Seiki	51

VDI Turret Tools


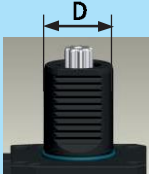















Sauter DIN 5482	56
Sauter DIN 5480	59
Diplomatic DIN 1809	63
Baruffaldi / TOEM	67
HAAS Turret	71
OKUMA	76
VDI Static DIN 69880	79

Accessories	85
--------------------------	----






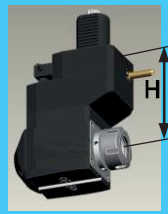
Operating instructions	86
-------------------------------------	----

Maintenance Data Sheet	90
-------------------------------------	----

LIVE TOOLHOLDER SYMBOLIZATION

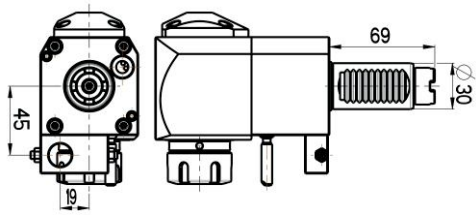
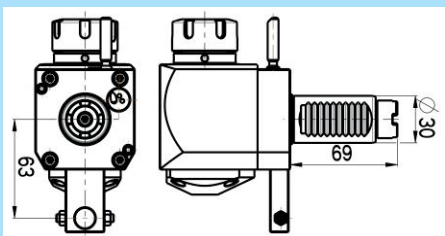
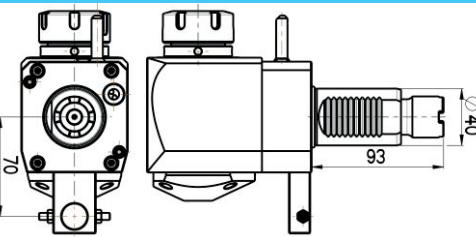
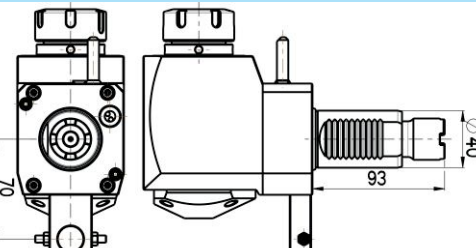
EDL	TURRET DATA		PRODUCT TYPE	COUPLING TYPE	TOOL GRIP	
	TYPE	D(mm)			TYPE	DIMENSION
EDL	1	40	2	5	1	32
	1 - VDI 		1 - STRAIGHT  2 - ANGULAR 	1 - DIN 5482  2 - DIN 1809 	1 - COLLET 	SIZE COLLET 16/25/ 32 /40
	2 - BMT 		3 - OFFSET STRAIGHT  4 - OFFSET ANGULAR  5 - VARIABLE ANGLE 	3 - DIN 5480  4 - TOEM  5 - STEPPED 	2 - WELDON 	WELDON upon request
					3 - SHELL MILL ARBOR 	SHELL MILL ARBOR upon request

Example: EDL1- 40/251-32/2.2-80A

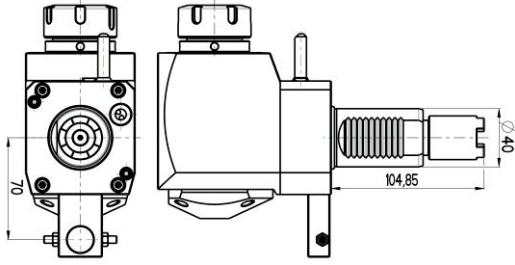
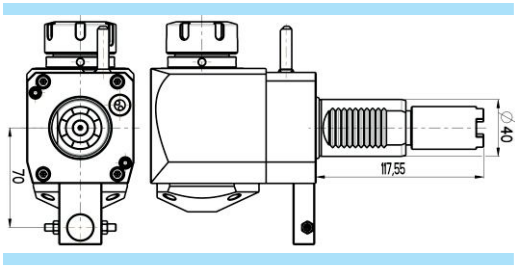
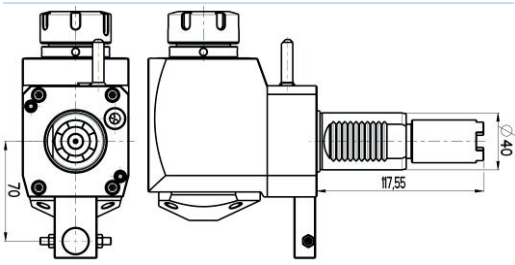
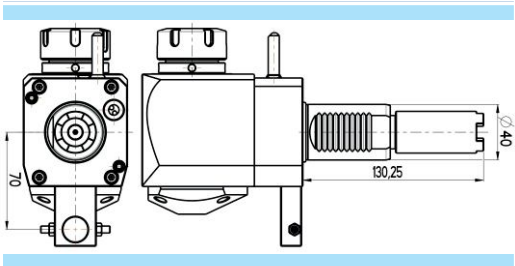
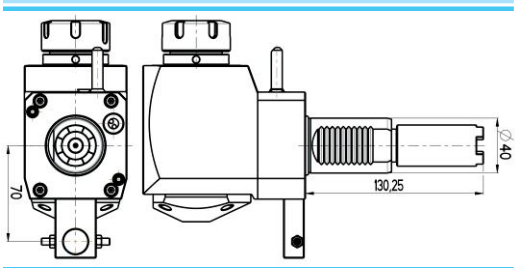
INTERNAL COOLING	ONLY FOR ANGULAR OFFSET STRAIGHT OFFSET ANGULAR		DETAILS CODE
	DIRECTION	H (mm)	
2	2	80	A
1 - NO 2 - YES (max 20 bar)	1 - RIGHT 		See details code table
	2 - LEFT 		Please check the pages no. 3-4
	3 - RIGHT&LEFT 		

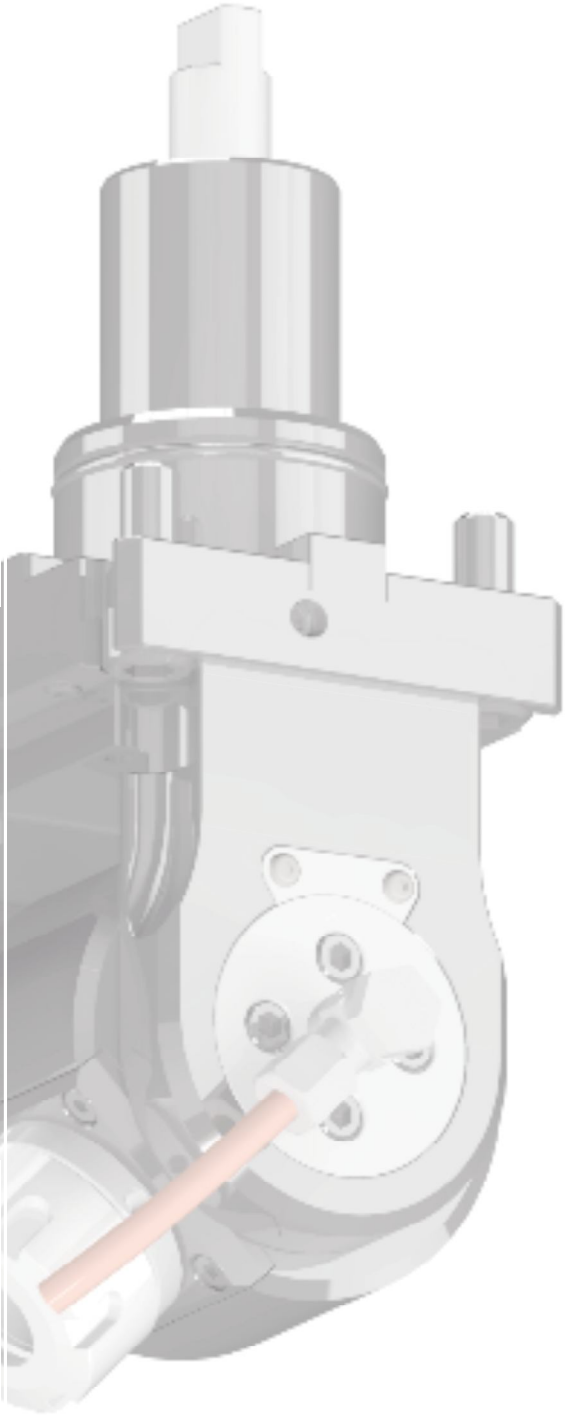


Details code		Technical details		Details code		Technical details	
JB	VDI40 OKUMA			C	VDI30 DIN1809		
JC	VDI40 OKUMA			D	VDI30 DIN1809		
JD	VDI40 OKUMA			S	VDI40 (short)		
JE	VDI40 OKUMA			D	VDI40 TOEM		
B	VDI30 DIN1809			A	VDI40 HAAS		

Details code		Technical details	
(1:2)	Ratio 1:2	$n_1=6000\text{r/min (in)}$ $n_2=12000\text{r/min (out)}$	
(2:1)	Ratio 2:1	$n_2=6000\text{r/min (in)}$ $n_1=3000\text{r/min (out)}$	
JA	VDI30 OKUMA		
JB	VDI30 OKUMA		
JA	VDI40 OKUMA		
JAS	VDI40 OKUMA same direction (in-out)		

Details code	Technical details		Details code	Technical details	
(JA) BMT60 OKUMA			(DO) BMT65 DOOSAN		
(JB) BMT60 OKUMA			(NT) BMT44 NAKAMURA -TOME		
(MS) BMT60 MORI-SEIKI			(NT) BMT55 NAKAMURA TOME		
(DO) BMT45 DOOSAN			(NT) BMT65 NAKAMURA -TOME		
(DO) BMT55 DOOSAN					

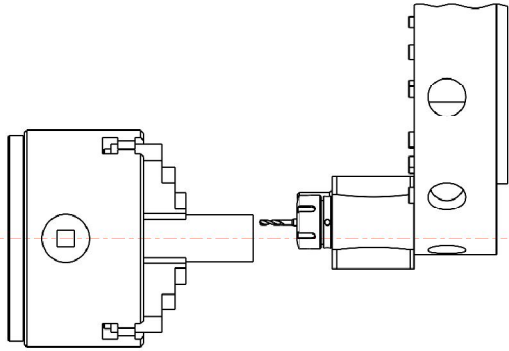
Details code	Technical details	
AS	VDI40 HAAS same direction (in-out)	
B	VDI40 HAAS	
BS	VDI40 HAAS same direction (in-out)	
C	VDI40 HAAS	
CS	VDI40 HAAS same direction (in-out)	



DIN 5482 Operations with VDI Disk-type turret

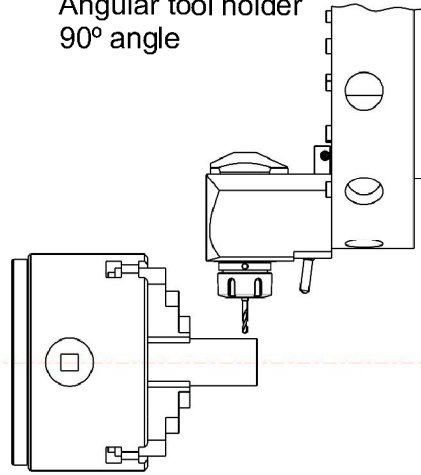
Axial operation

Straight tool holder

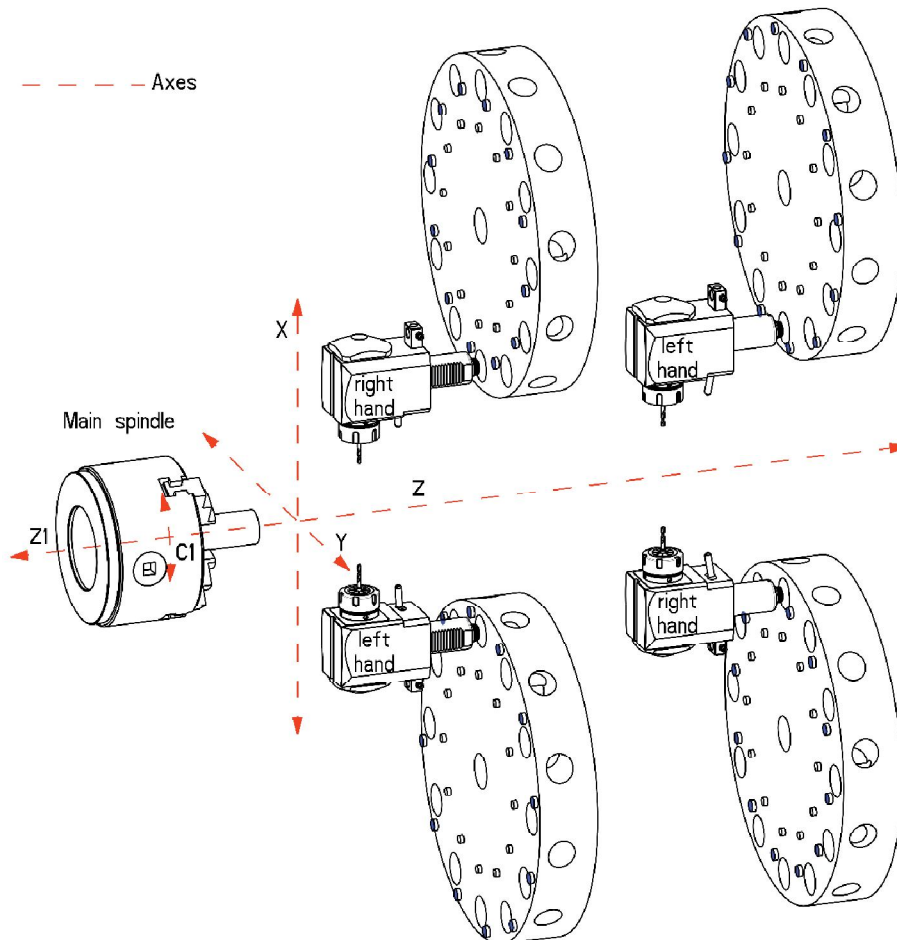


Radial operation

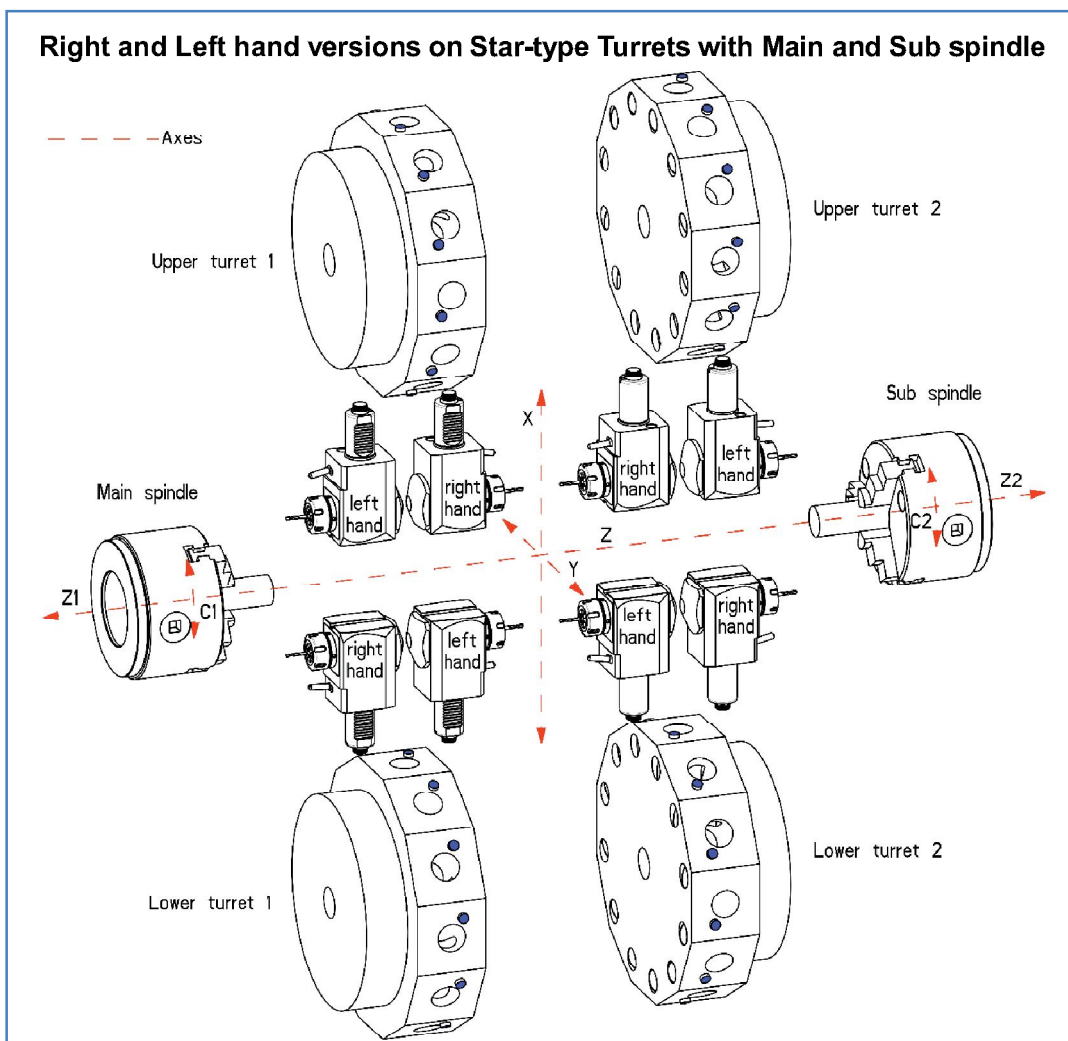
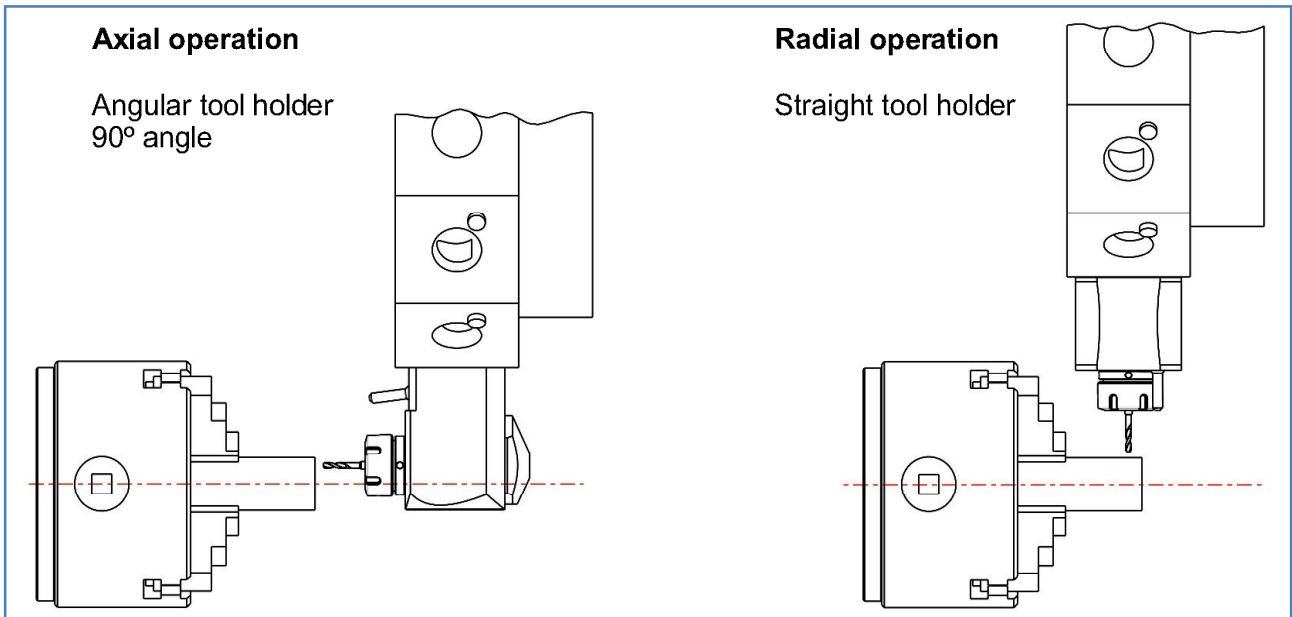
Angular tool holder
90° angle

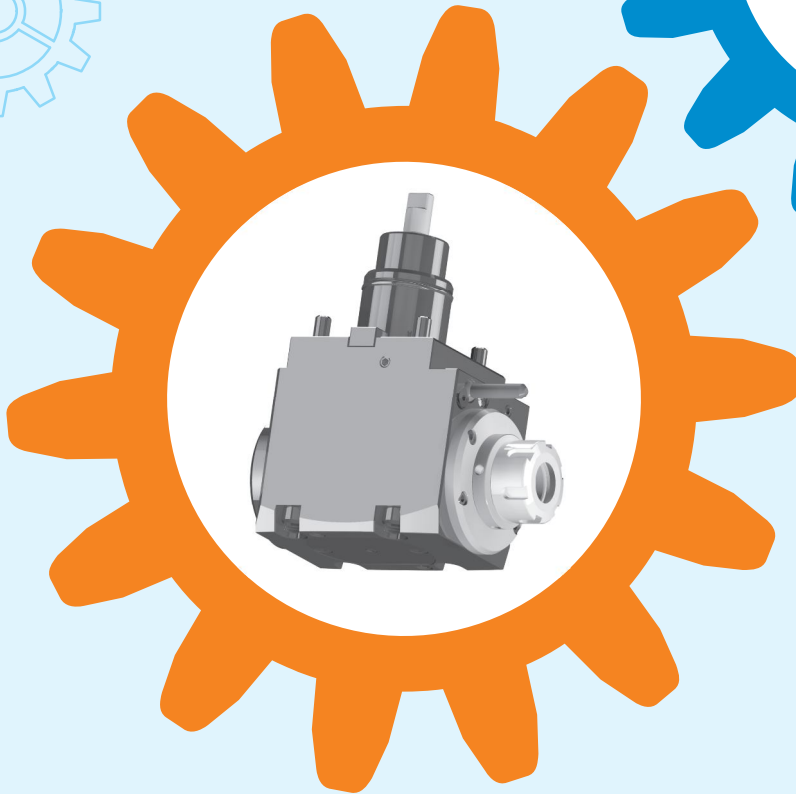
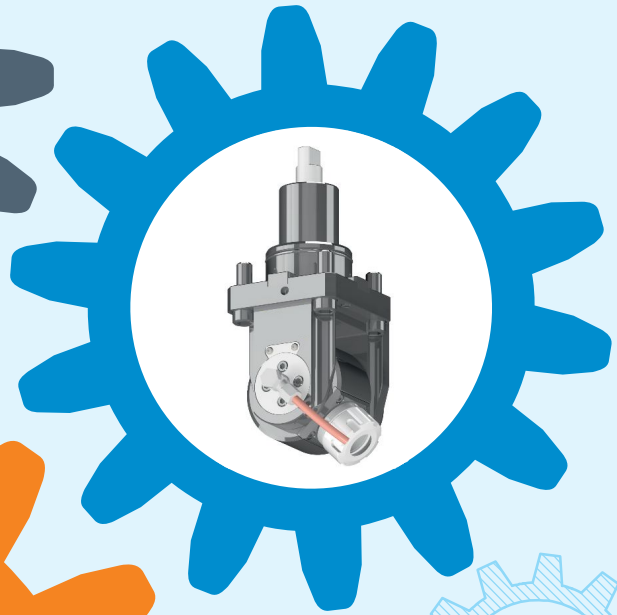
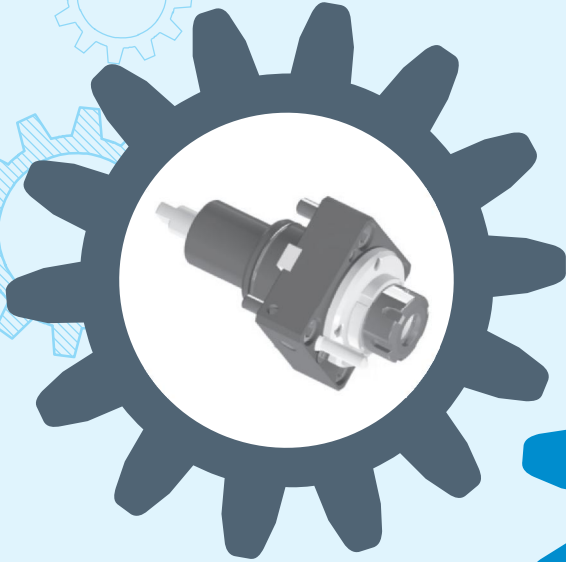


Right and Left hand versions on Disk-type Turrets



DIN 5480 Operations with VDI Star-type turret





BMT TURRET TOOLHOLDERS

Suitable for:

ACE

BFW

Biglia

DOOSAN

Gildemeister/ DMG MORI

HAAS

HAAS BMT & BOT

Hardinge

Hwacheon

HYUNDAI WIA

Jyoti

Leadwell

LMW

Mazak

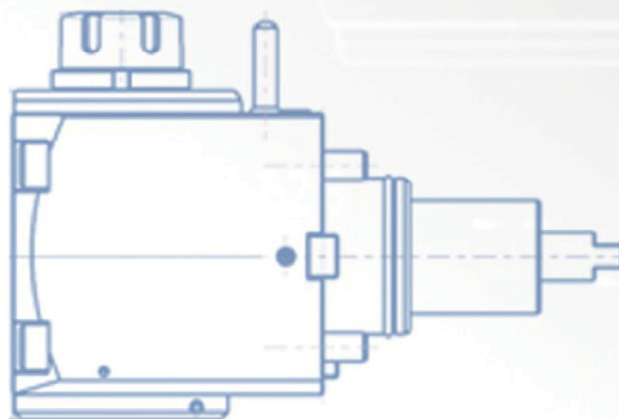
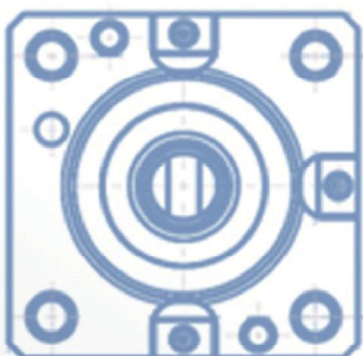
Mori Seiki

Muratec

Nakamura-Tome

OKUMA

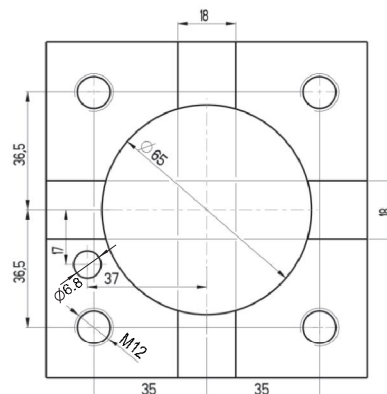
VICTOR



LIVE AND STATIC TOOLHOLDERS BMT65

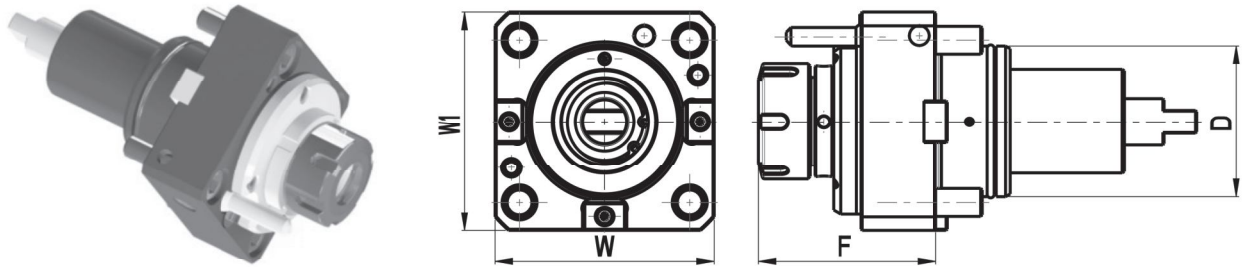
Doosan	PUMA 2100/2600 (M,LM,MS,LMS)
	PUMA 2100/2600 (Y,LY,SY,LSY)
	PUMA 300 (M,MS,MB,MC)
	PUMA 3100 (M,LM,LY,XLM,XLY,ULM,ULY)
	PUMA MX2000/2500
	PUMA MX2600 (T,ST), PUMA TT2500 (MS/SY)
	PUMA V400 (M)
	PUMA VT450 (M,2SP)
	Haas
Hwacheon	Cutex-240/Hi-TECH200/T2-Series
	Hi-TECH300/400
	VT-450
Hyundai WIA	L2100SY
	SKT-200/250TTSY
	SKT-250/300 (L,M)
	SKT-250/300 (MS)
Maxsin	BMT65
SMEC/Samsung	SL 25/SL 35
Tongtai	TMT2000
Victor	Vturn-A26 (YSCM)

CONNECTION TURRET - BMT65



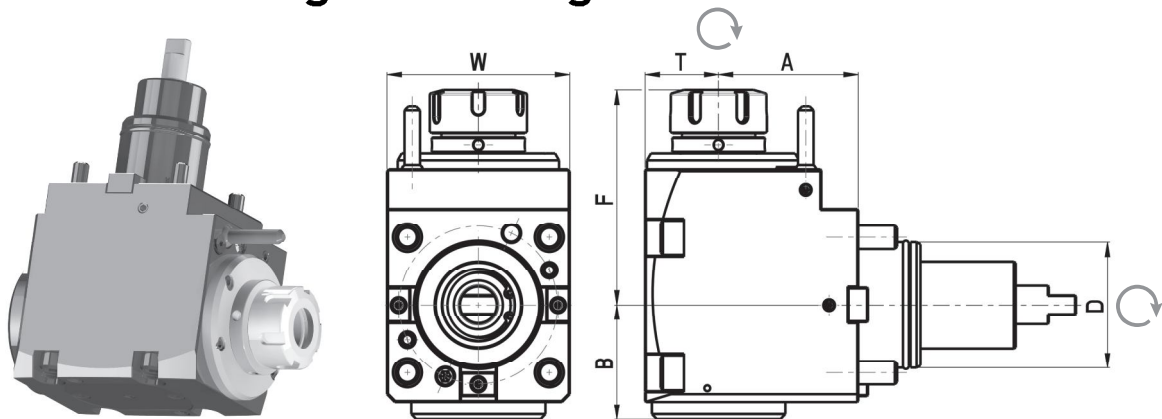
LIVE TOOLHOLDERS BMT65

Straight BMT drilling and milling head



Code	D	Tool grip	Internal Cooling	F	W	W 1	Torque [Nm]	Speed [rpm]	Ratio	P [bar]
EDL2-65/101-32/1(DO)	65	ER32	no	75.3	94	94	70	6000	1:1	-
EDL2-65/101-32/2(DO)	65	ER32	yes	75.3	94	94	70	6000	1:1	20

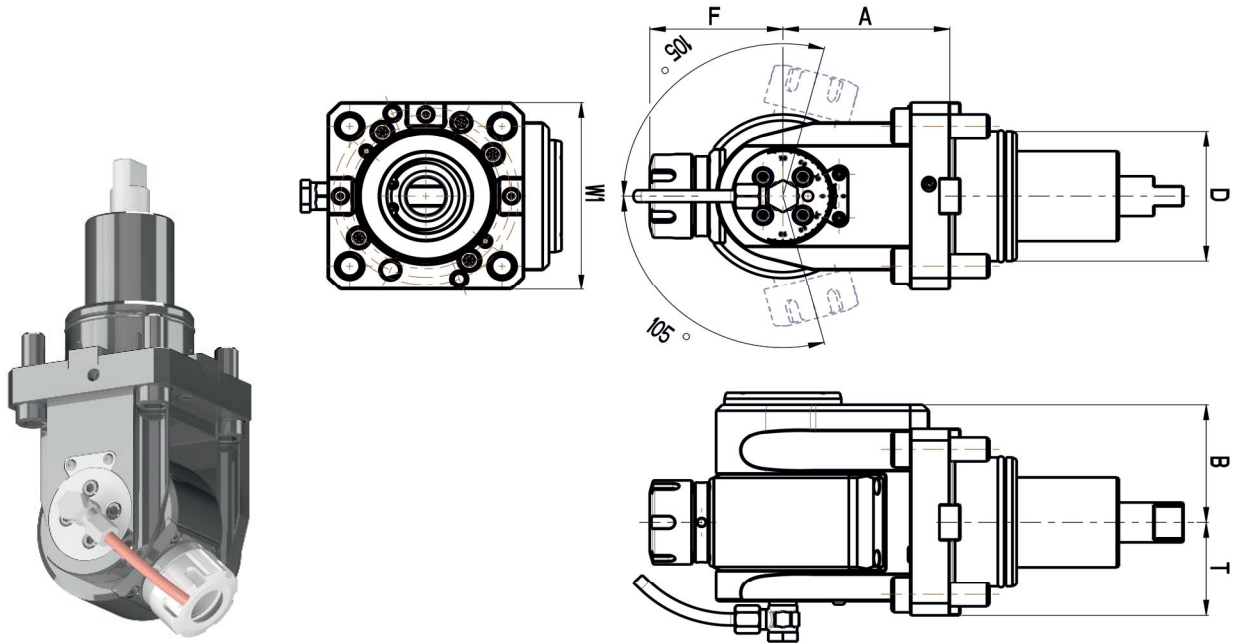
Angular BMT drilling and milling head



Code	D	Tool grip	Internal Cooling	Direction	A	B	F	T	W	Torque [Nm]	Speed [rpm]	Ratio	P [bar]
EDL2-65/201-32/1.3-72(DO)	65	ER32	no	right/left	72	59	110	38	94	70	6000	1:1	-
EDL2-65/201-32/2.3-72(DO)	65	ER32	yes	right/left	72	59	110	38	94	70	6000	1:1	20
EDL2-65/201-32/1.3-100(DO)	65	ER32	no	right/left	100	59	110	38	94	70	6000	1:1	-
EDL2-65/201-32/2.3-100(DO)	65	ER32	yes	right/left	100	59	110	38	94	70	6000	1:1	20

LIVE TOOLHOLDERS BMT65

Variable angle BMT drilling and milling head

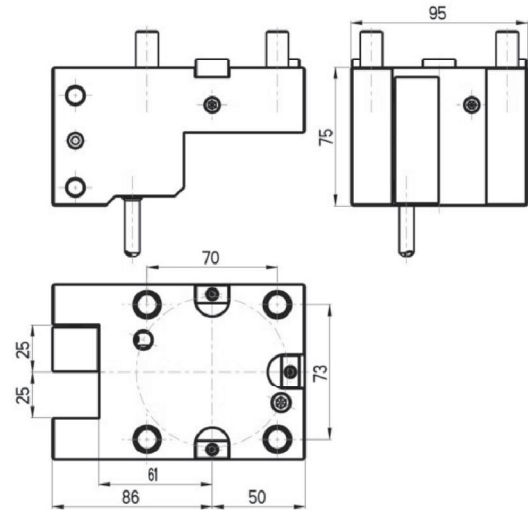
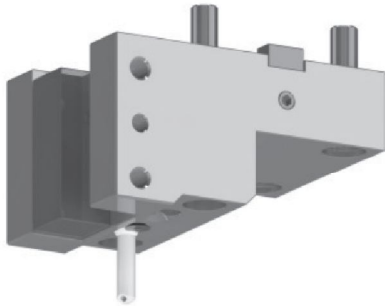


Code	D	Tool grip	Internal Cooling	Direction	A	B	F	T	W1	Torque [Nm]	Speed [rpm]	Ratio	P [bar]
EDL2-65/501-25/1(DO)	65	ER25	no	right/left	80	59	64	47	94	16	6000	1:1	-
EDL2-65/501-25/2(DO)	65	ER25	yes	right/left	80	59	64	47	94	16	6000	1:1	20

STATIC TOOLHOLDERS BMT65

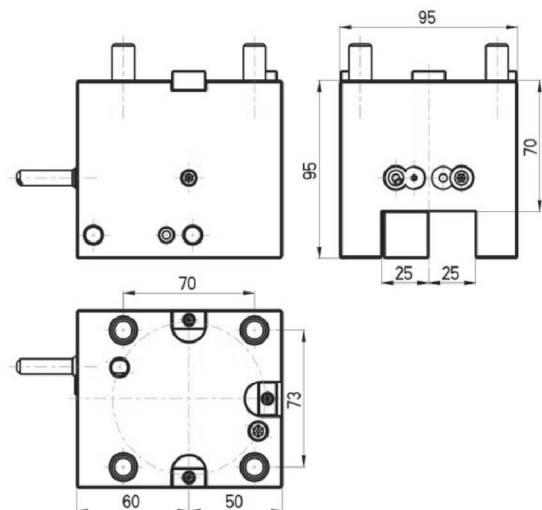
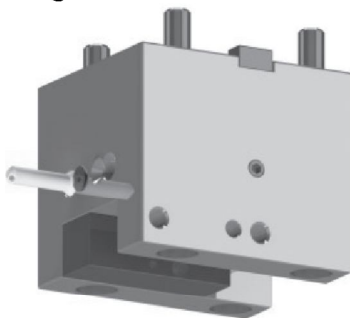
Universal turning holder

EDS OD-65x25x75(DO)
External cooling



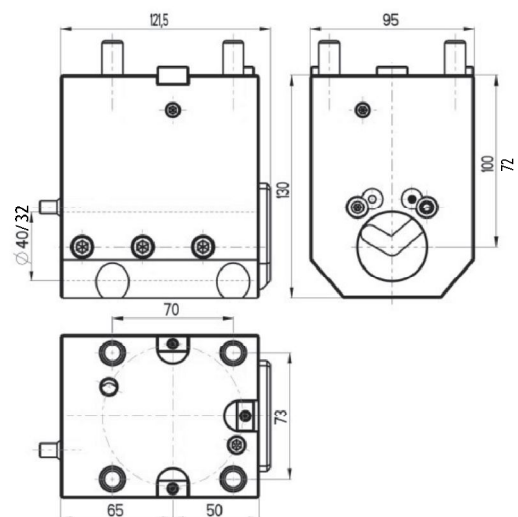
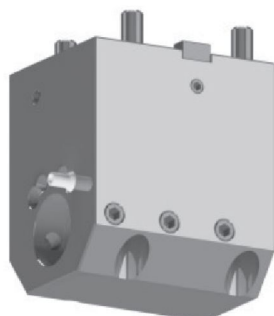
Universal turning face holder

EDS F-65x25x95(DO)
External cooling



Boring bar holder

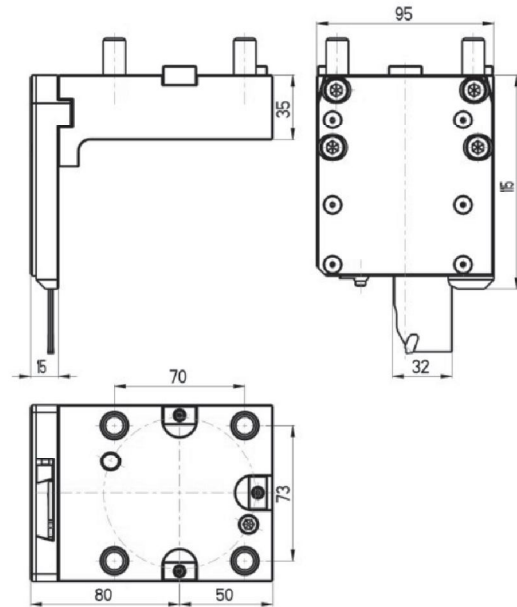
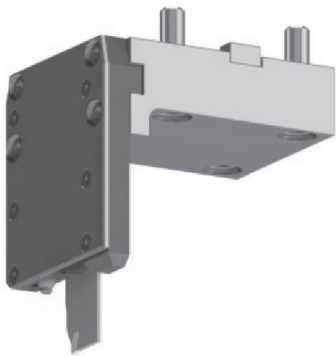
EDS ID-65x40x100(DO)
EDS ID-65x40x72(DO)
EDS ID-65x32x72(DO)
External/Internal cooling



STATIC TOOLHOLDERS BMT65

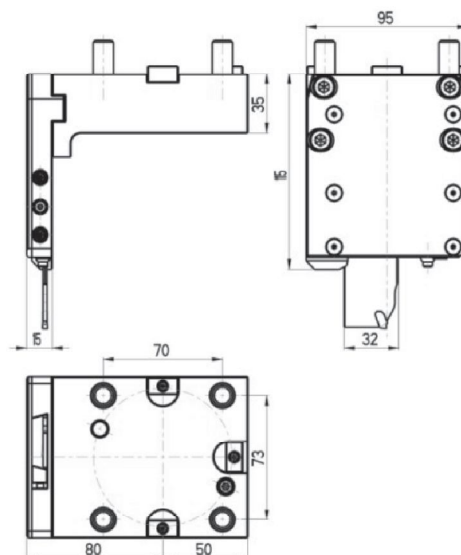
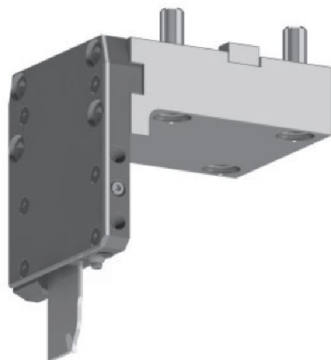
Cut off toolholder

EDS CR-65x32(DO)
External cooling (RIGHT)



Cut off toolholder

EDS CL-65x32(DO)
External cooling (LEFT)





SAMTEC

Your Partner For Innovative Tooling Solutions

Samtec Tools & Accessories Pvt. Ltd.

Survey No.33/3, Behind MITCON Institute, Balewadi,
PUNE-411 045, INDIA

Mobile: +91 9325409714,

Tel No: +91 9175105689, 7507205689

web.: www.samtectools.com

ashish@samtectools.com

info@samtectools.com

Distributed by: